

Vent gas solenoid valve

LGV/5

6.04

DUNGS®



Technical description

The DUNGS vent gas solenoid valve LGV/5 is a normally when open, automatic shut-off valve as per EN 161 for gas burners and gas appliances.

- Max. operating pressure: 500 mbar
- Class A, Group 2 as per EN 161
- **normally open**
- Fast closing
- Fast opening
- DC solenoid, rectifier wiring with radio suppression interference in terminal box
- Mountable closed position signal contact to monitor closed position of valve
- Reliable function, rugged and maintenance-free

Application

The DUNGS vent gas solenoid valve LGV/5 is suitable for gases of families 1, 2, 3 and other neutral gaseous media.

The vent gas solenoid valve is used for the shut-off and release of upstream gas volumes.

Approval

EU type test approval as per EU Gas Appliance Directive.

LGV 507/5 CE-0085 AP 0224

LGV 5020/5 CE-0085 AP 0224

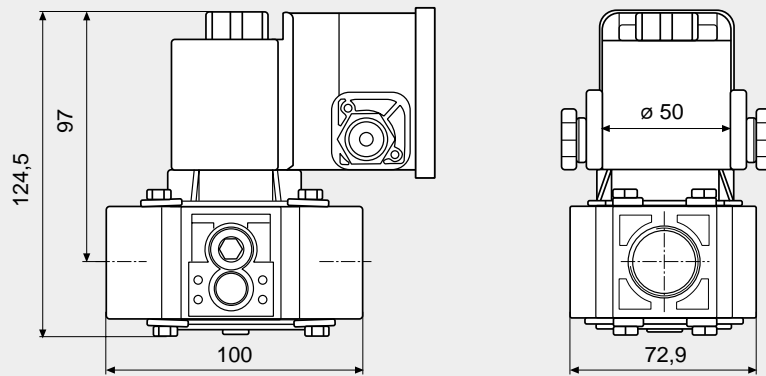
Approvals in other important gas-consuming countries.

LGV/5 Single-stage solenoid valve, **normally open**, fast opening, fast closing. Closed position signal contact mountable.

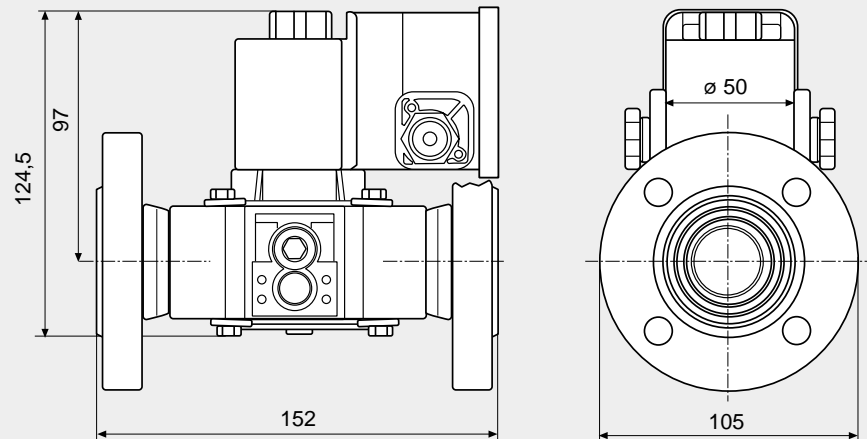
Specifications

Nominal diameters	DN 20
Pipe thread as per ISO 7/1	Rp 3/4
Flange	Connection flange as per DIN 2501 Part 1, to fit preweld flanges as per DIN 2633 (PN 16) ISO 7005 - 1 (PN 16), ISO 7005 - 2 (PN 16)
Max. operating pressure	500 mbar (50 kPa)
Solenoid valve	Valve as per EN 161, Class A, Group 2
Pressure stage	PN 1
Closing time	< 1 s
Opening time	< 1 s
Materials of gas-conveying parts	Housing: aluminium, steel, not containing non-ferrous metals Seals: NBR basis
Voltage/frequency	50-60 Hz, 230 V AC (+10% -15%); further voltages on request
Rating / power consumption	15 VA/0.08 A, at 20°C and 230 VAC
Switch-on duration	100 %
Degree of protection	IP 54, IP 65 on request
Electrical connection	At screw terminals via PG* 11 cable gland (* = heavy-gauge conduit thread) Plug connection as per DIN 43650, can be retrofitted
Switching rate	Max. 1000/h
Measuring/ignition gas connection	G 1/4 ISO 228, on both sides in inlet section
Ambient temperature	-15°C to +60°C
Installation position	Solenoid from vertically upright to horizontally lying
Closed position signal contact	Type K01/1 (DIN-tested), mountable on LGV 5.../5
Accessories	K01/1 closed position signal contact, see Datasheet 12.01 211 202 Equipment plug for line socket as per DIN 43 650 215 733

**Dimensions [mm]
LGV 507/5**



**Dimensions [mm]
LGV 5020/5**



Type	$p_{max.}$ [mbar]	Rp / DN	Order No.	Weight
LGV 507 /5	500	Rp 3 /4	119 271	1.3
LGV 5020/5	500	DN 20	119 594	3.2

Functional description

The DUNGS vent gas solenoid valve is an automatic shut-off valve operated with auxiliary power. The electro-

magnetic drive closes against the force of the pressure spring. If the auxiliary power is interrupted (operating voltage), the pressure spring opens the

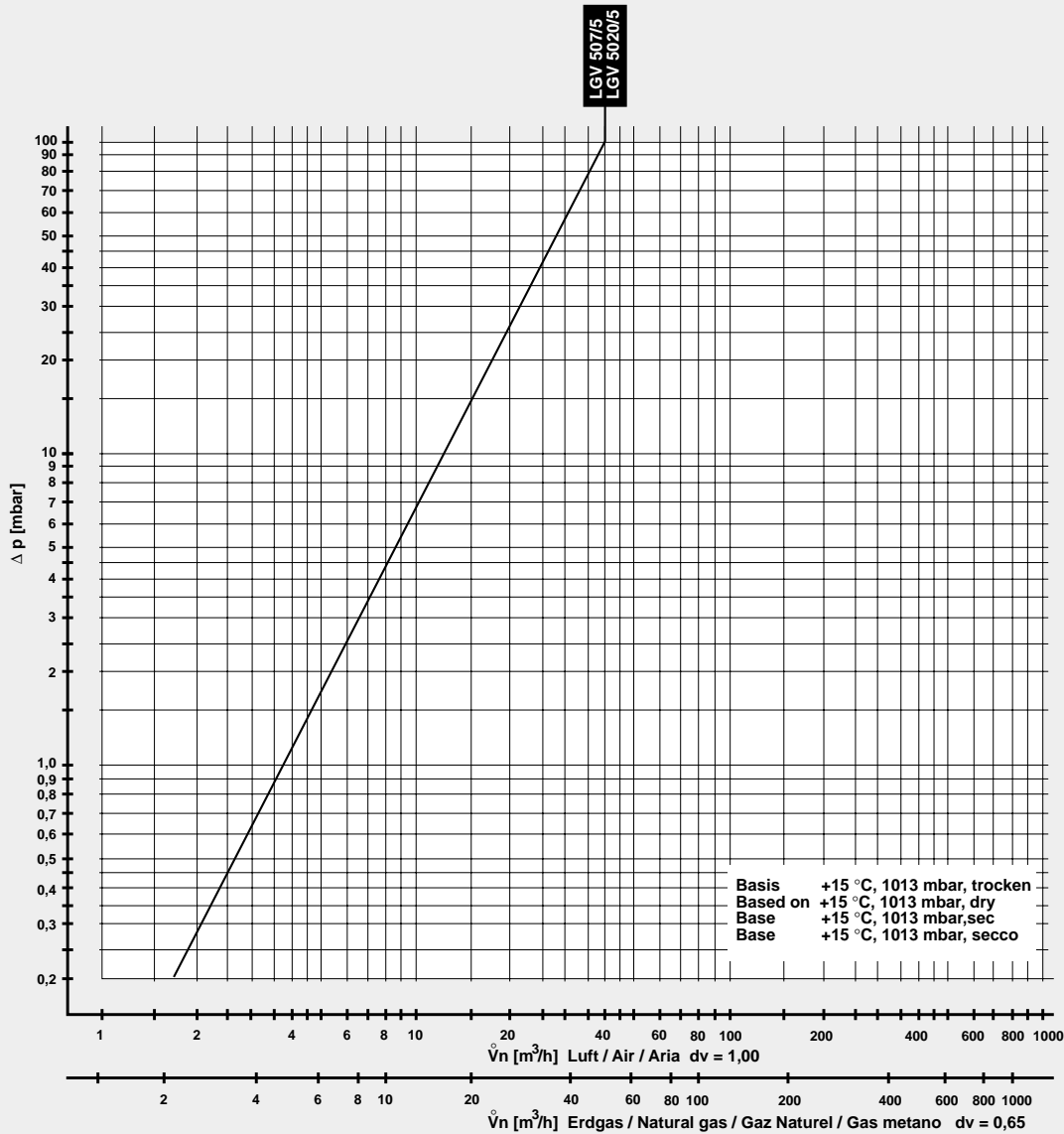
valve within 1 second.

The closed position of the valve can be monitored by a mountable closed position signal contact.

Leakage gas
solenoid valve
LGV/5

DUNGS®

Flow diagram



We reserve the right to make any changes in the interest of technical progress.



Head Offices and Factory
Karl Dungs GmbH & Co.
Siemensstraße 6-10
D-73660 Urbach, Germany
Telephone +49 (0)7181-804-0
Fax +49 (0)7181-804-166

Postal address
Karl Dungs GmbH & Co.
Postfach 12 29
D-73602 Schorndorf, Germany
e-mail info@dungs.com
Internet www.dungs.com