



# giuliani anello s.r.l.

## STRAINER FILTERS WITH FILTERING ELEMENT IN WIRE GAUZE

Mod. 70000

### TECHNICAL FEATURES

Flow : see general diagram

Current Filtering 44-500 microns

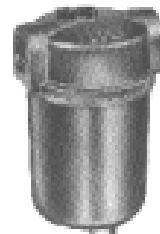
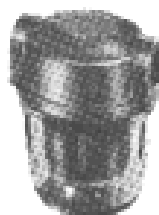
All filters are manufactured in aluminum

(the model \* 70450 -70300 can be supplied in transparent bowl.) The exhaust and vent holes are normally executed only on the model 70100 - 70150 - 70500, on demand. It is possible to execute the vent hole on all models.

Max. operating temperature 90°C (aluminum)

Max. operating temperature 50°C (transparent)

**Pressure** : All filters are tested at 2 bars, the utilization at higher pressures is allowed on condition that the filter is tested at least at a pressure of 50% higher than the operation one.



### FILTERS WITH ELECTRICAL HEATER AND THERMOSTAT

The most of the series 70150 and 70500 can be supplied with electrical heater controlled by thermostat.

Possibility of installing one 300W -220V 50Hz heating element of the series.

NL (for fuel oils ) 70°C fixed rating thermostat - positive safety electronic circuit - light indicator of operation phase - IP65 electrical insulation -Heating element colour : black.

GL (for gas oil) same characteristics as the NL series, but with thermostat rate at 35°C. Heating element colour. Grey.



**Kingstec (Singapore) Pte Ltd**

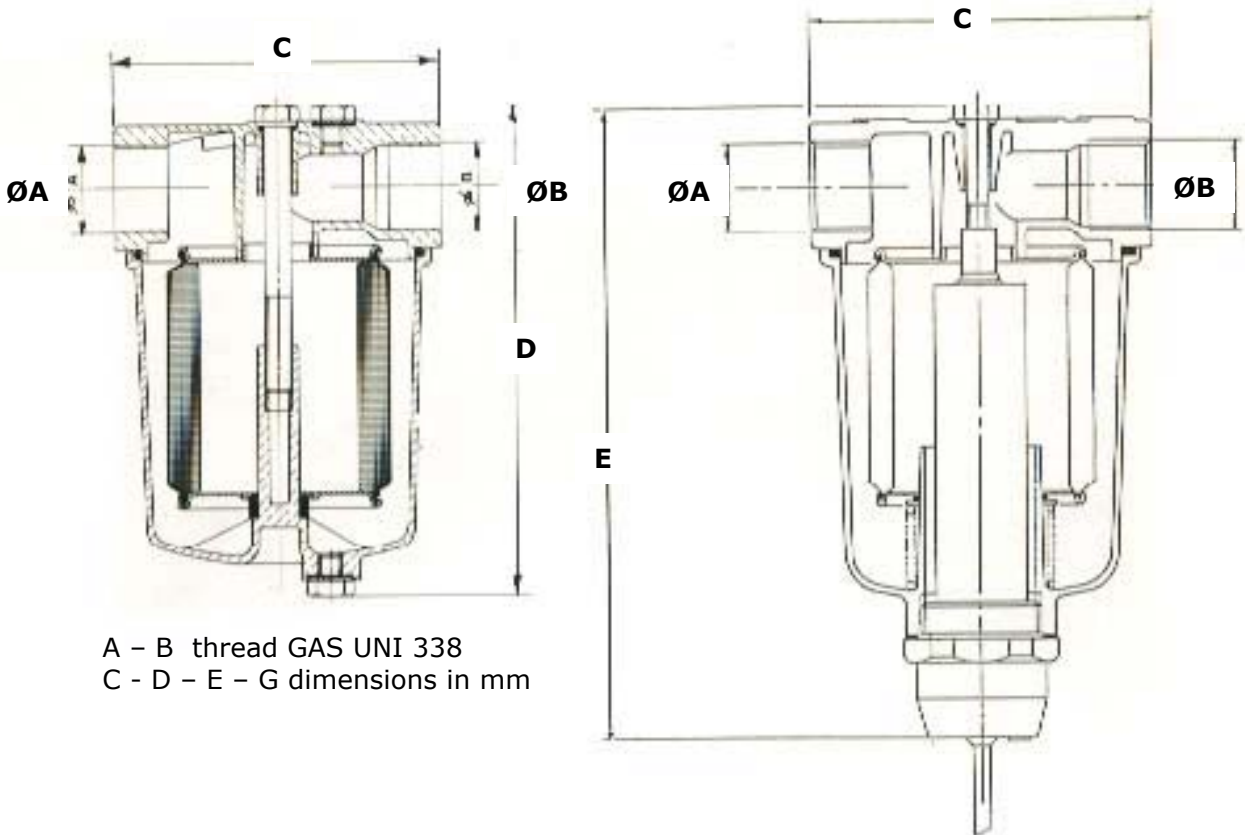
66 Tannery Lane,

# 04 - 09 Sindo Building,

Singapore 347805

Tel (65) 6456 8630 Fax (65) 6234 2969

E-mail : [kingstec@pacific.net.sg](mailto:kingstec@pacific.net.sg)



A - B thread GAS UNI 338  
C - D - E - G dimensions in mm

Article	Dimensions							Micron**	Bar	
	inch		mm							
	A	B	C	D	E	F	G			
70451*	3/8	3/8	61	75				44	20 (6)	
70452*	1/4	1/4	75	75				60		
70301*	3/8	3/8	81	84				44 - 60	18 (6)	
70302*	1/2	1/2	81	84				100 - 500		
70311	3/8	3/8	81	116				44 - 60 - 100 - 300 Filtering degree	18 Breaking Pressure	
70312	1/2	1/2	81	116						
70202	1/2	1/2	96	144						
70207	3/4	3/4	96	144						
70101	1	1	120	181						
70107	1/2	1/2	120	181						
70151	1	1	150		235	270	315			
70157	1/2	1/2	120		235	270	315			
70501	1	1	190	255						44 - 60 100-300 400-500
70502	1 1/4	1 1/4	190	255						
70503	1 1/2	1 1/2	190	255						
70501 / NL / GL	1	1	190		300	335	380			
70502 / NL / GL	1 1/4	1 1/4	190		300	335	380			
70503 / NL / GL	1 1/2	1 1/2	190		300	335	380			

\* Models can possible to supply transparent bowl, the breaking pressure is indicated between brackets

\*\*Series filtering (other filtering mesh or micron size on demand)

### **MAGNETIC FILTERS (WITH PERMANENTS MAGNETS)**

The models of series 70150 can be supplied with magnetic column instead of electrical heater.

The models of series 70500 can be supplied with magnetic column or with magnetic column and electrical heater.

\*These filters are particularly suitable for filtering oils having ferrous impurities which would make damage to the gear set of the pump.

### **ASSEMBLY, MAINTENANCE AND CLEANING**

The flow direction, indicated by an arrow on the filter housing, must be respected scrupulously.

The filter can be installed in any position, however we recommend to mount them vertical position, with the bowl turned downwards, in order to facilitate the separation of the water traces and the deposit of the filtered impurities.

Due to their constructive simplicity and their high reliability the Guiliani's filter doesn't need any maintenance.

For their cleaning it is sufficient to screw out the drain plug placed under the bowl.

For the complete cleaning, screw out the screws on the cover, take away the bowl, wash accurately the filtering element with diesel or kerosene and blow compressed air from inside-out, mount the whole and control that the seals are good and in their place.

For the Models without drain plug, remove the bowl as indicated above.

For model 70450, screw out the bowl by taking it manually, clean as indicated above and reassemble by tightening moderately

\* Models can possible to supply transparent bowl, the breaking pressure is indicated between brackets

\*\*Series filtering (other filtering mesh or micron size on demand)